



Scrúdú Ardteistiméireachta, 2016
Leaving Certificate Examination, 2016

Staidéar Foirgníochta
Triail Phraiticiúil

Construction Studies
Practical Test

(150 marc/marks)

Duration: 4:00 hours

Fad: 4:00 uair an chloig

Note: For clarity, some hidden detail has been omitted from this drawing.

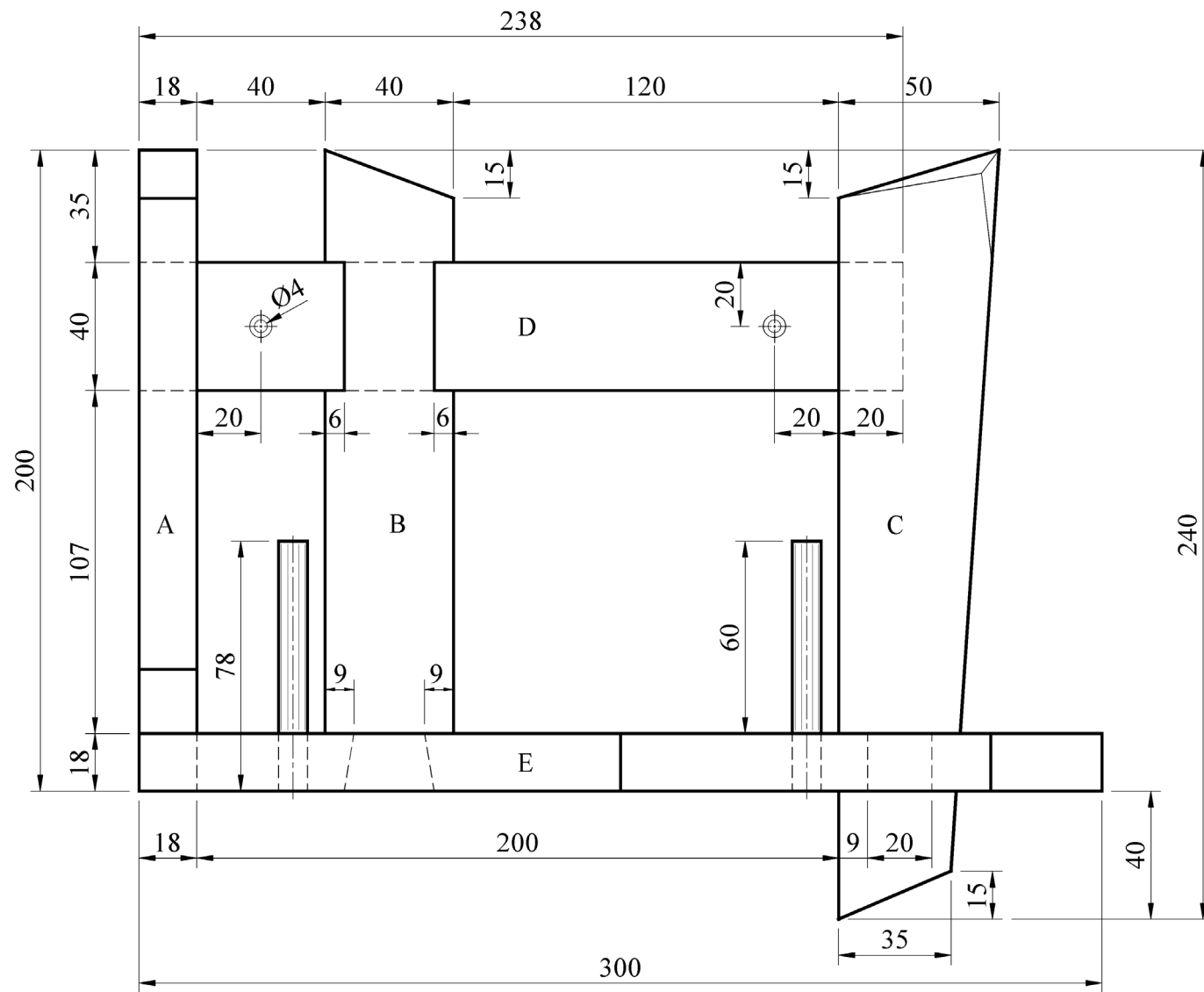
Nóta: Tá roinnt sonraí fágtha ar lár as an líníocht seo ar mhaithe le soiléireacht.

Hand up this examination paper to the **Superintendent** at the end of examination.

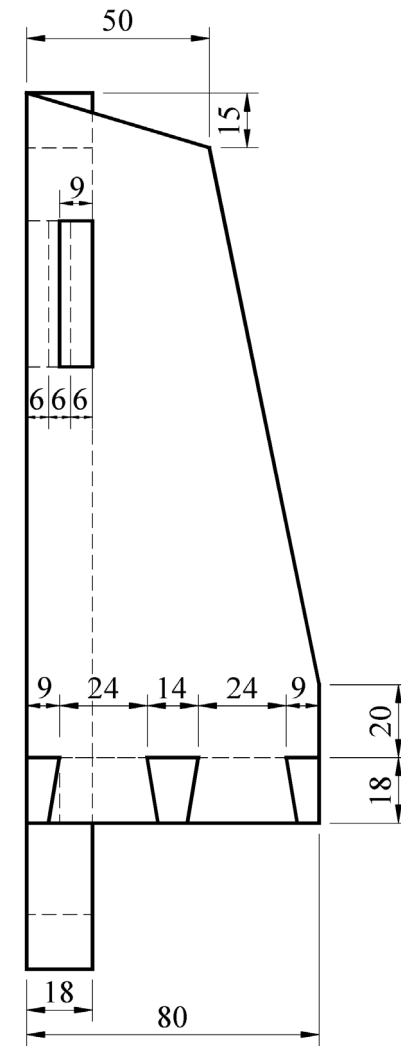
Tabhair ar ais an scrúdpháipéar seo don **Fheitheoir** ag deireadh an scrúdaithe.



Stand for tablet computer Seastán do ríomhaire táibléid



Elevation / Aghaidhchló

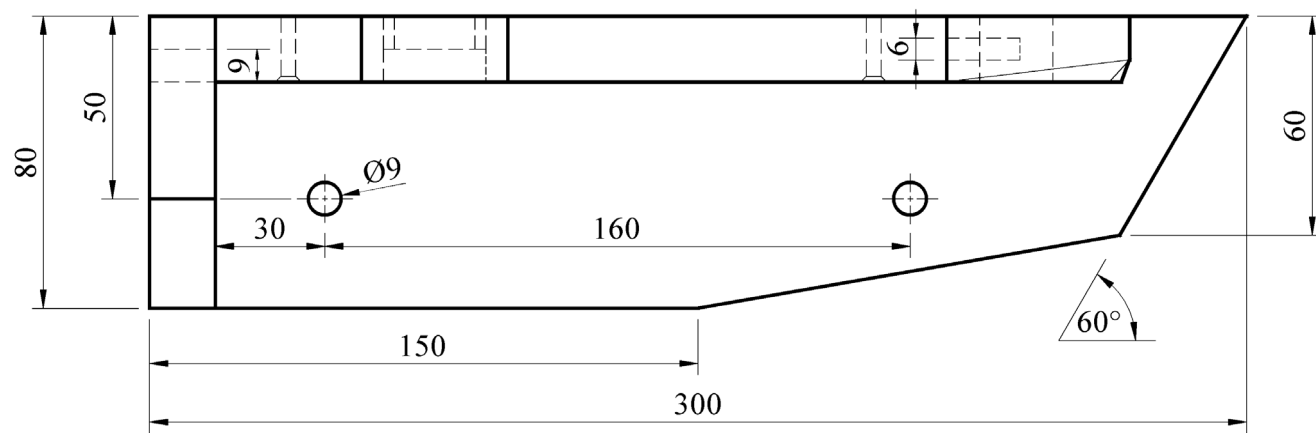


End View / Taobhchló

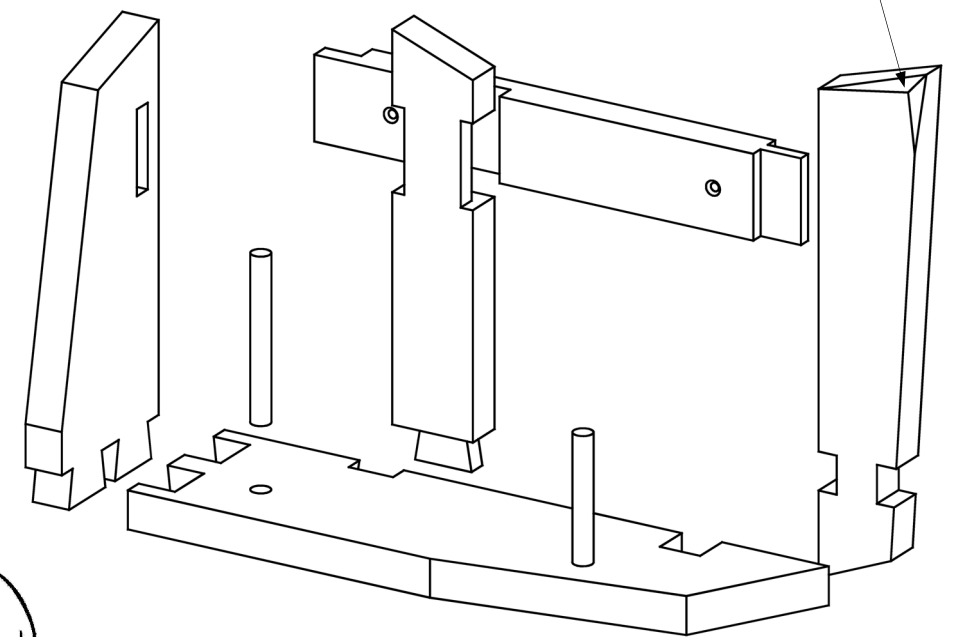
Slope of dovetail
Claonadh an déadailt **1:6**

Shaping of edges is left to the candidate.
Fágfar faoin iarrthóir na corra a chríochnú go cúí.

Chamfers 6 mm × 6 mm at the corner
Saimféir 6 mm × 6 mm ag an gcúinne

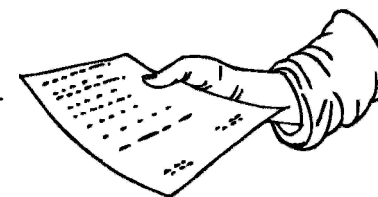


Plan / Bonnchló



Note: Hand up this examination paper to the **Superintendent** at the end of the examination.

Nóta: Tabhair ar ais an scrúdpháipéar seo don **Fheitheoir** ag deireadh an scrúdaithe.



Hand up this examination paper to the
Superintendent at the end of the examination.

Tabhair ar ais an scrúdpháipéar seo don
Fheitheoir ag deireadh an scrúdaithe.