



**Coimisiún na Scrúduithe Stáit**  
*State Examinations Commission*

***Scrúdú Ardteistiméireachta, 2014***  
***Leaving Certificate Examination, 2014***

***Staidéar Foirgníochta***  
***Triail Phraiticiúil***

***Construction Studies***  
***Practical Test***

*(150 marc/marks)*

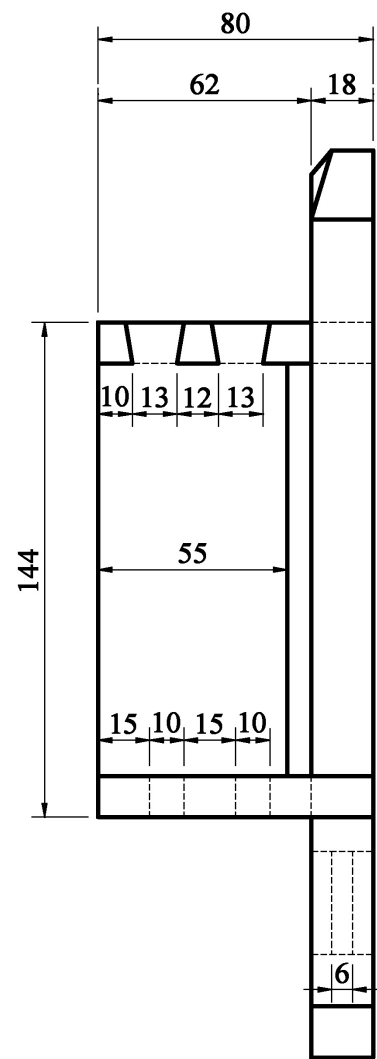
**Note:** For clarity, some hidden detail has been omitted from this drawing.

**Nóta:** Tá roinnt sonraí fágtha ar lár as an líníocht seo ar mhaithe le soiléireacht.

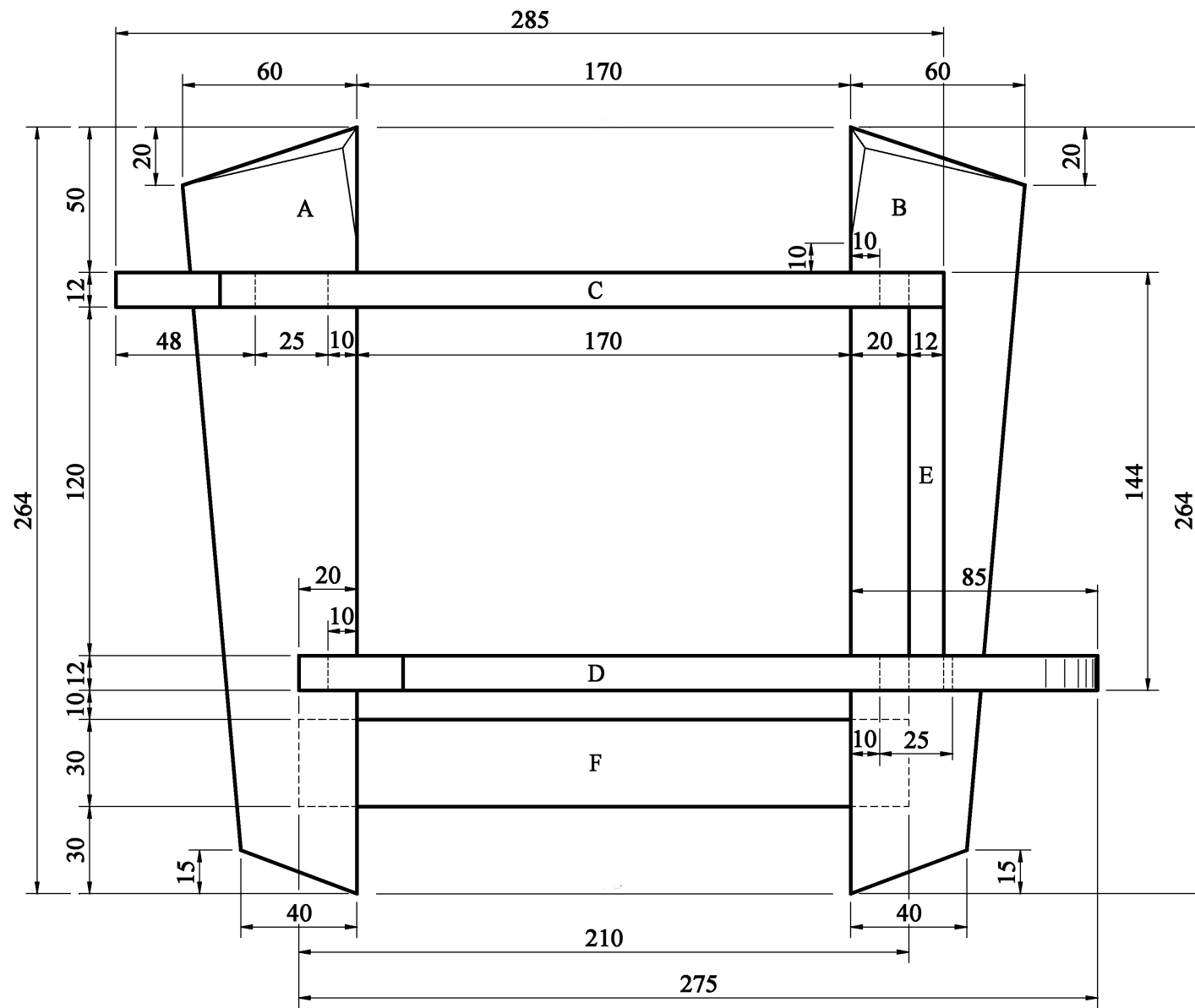
Hand up this examination paper to the **Superintendent** at the end of examination.  
Tabhair ar ais an scrúdpháipéar seo don **Fheitheoir** ag deireadh an scrúdaithe.



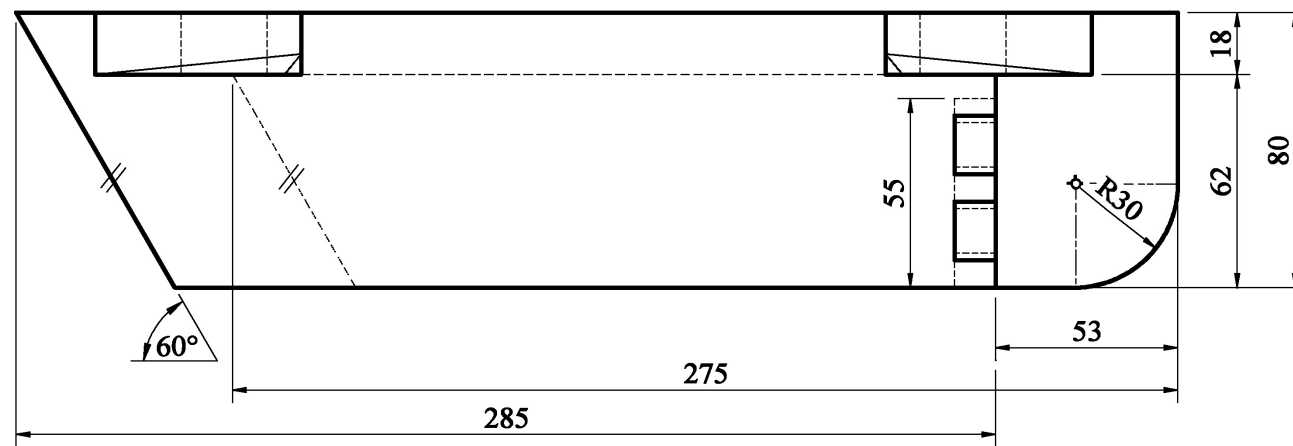
# Spice Rack Raca Spíosraí



End View / Taobhchló



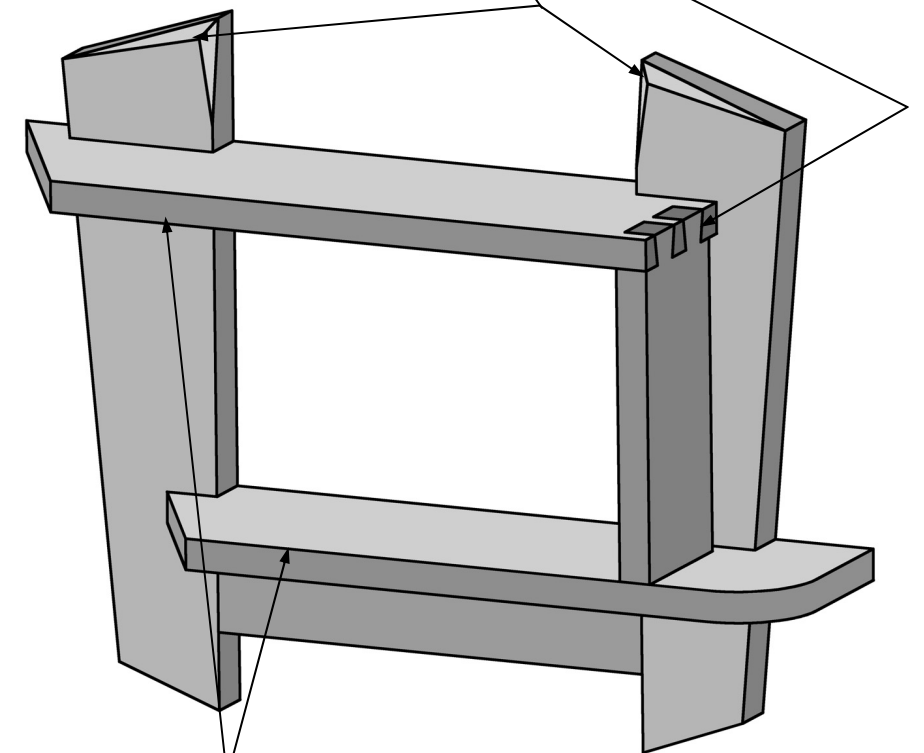
Elevation / Aghaidhchló



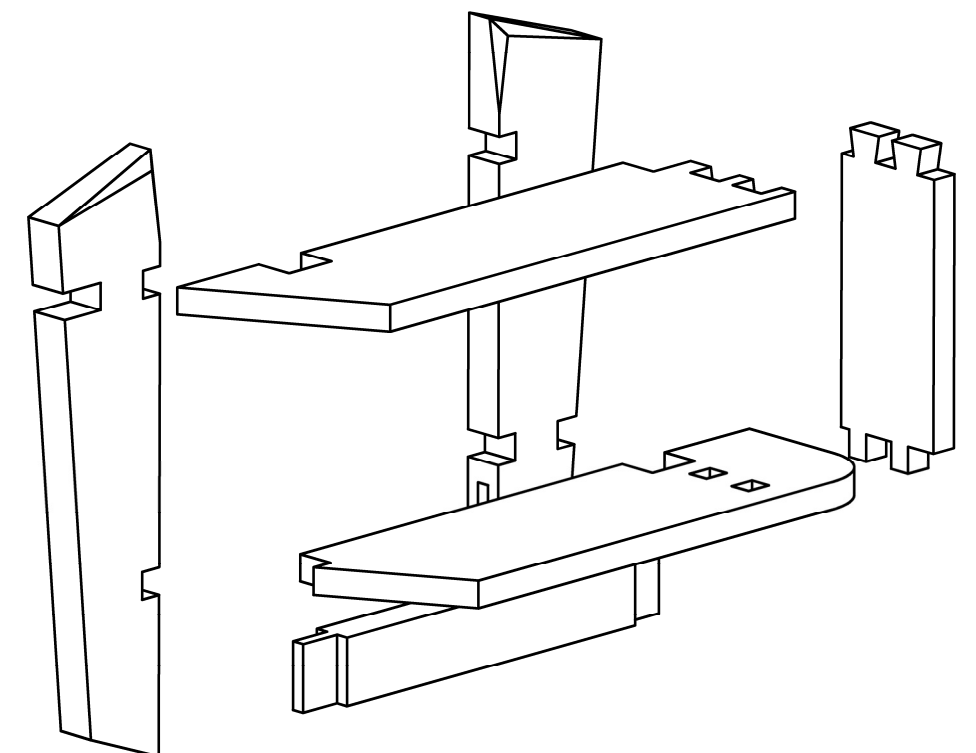
Plan / Bonnchló

Chamfers 6 mm × 6 mm at the corner  
Seaimféir 6 mm × 6 mm ag an gcúinne

Slope of dovetail  
Claonadh an déadailt 1:6



Shaping of edges is left to the candidate  
Fágfar faoin iarrthóir na corra a chríochnú go cúí



**Note:** Hand up this examination paper to the **Superintendent** at the end of examination.

**Nóta:** Tabhair ar ais an scrúdpháipéar seo don **Fheitheoir** ag deireadh an scrúdaithe.

Hand up this examination paper to the  
**Superintendent** at the end of the examination

Tabhair ar ais an scrúdpháipéar seo don  
**Fheitheoir** ag deireadh an scrúdaithe