



Coimisiún na Scrúduithe Stáit
State Examinations Commission

Scrúdú Ardteistiméireachta, 2013
Leaving Certificate Examination, 2013

Staidéar Foirgníochta
Triail Phraiticiúil

Construction Studies
Practical Test

(150 marc/marks)

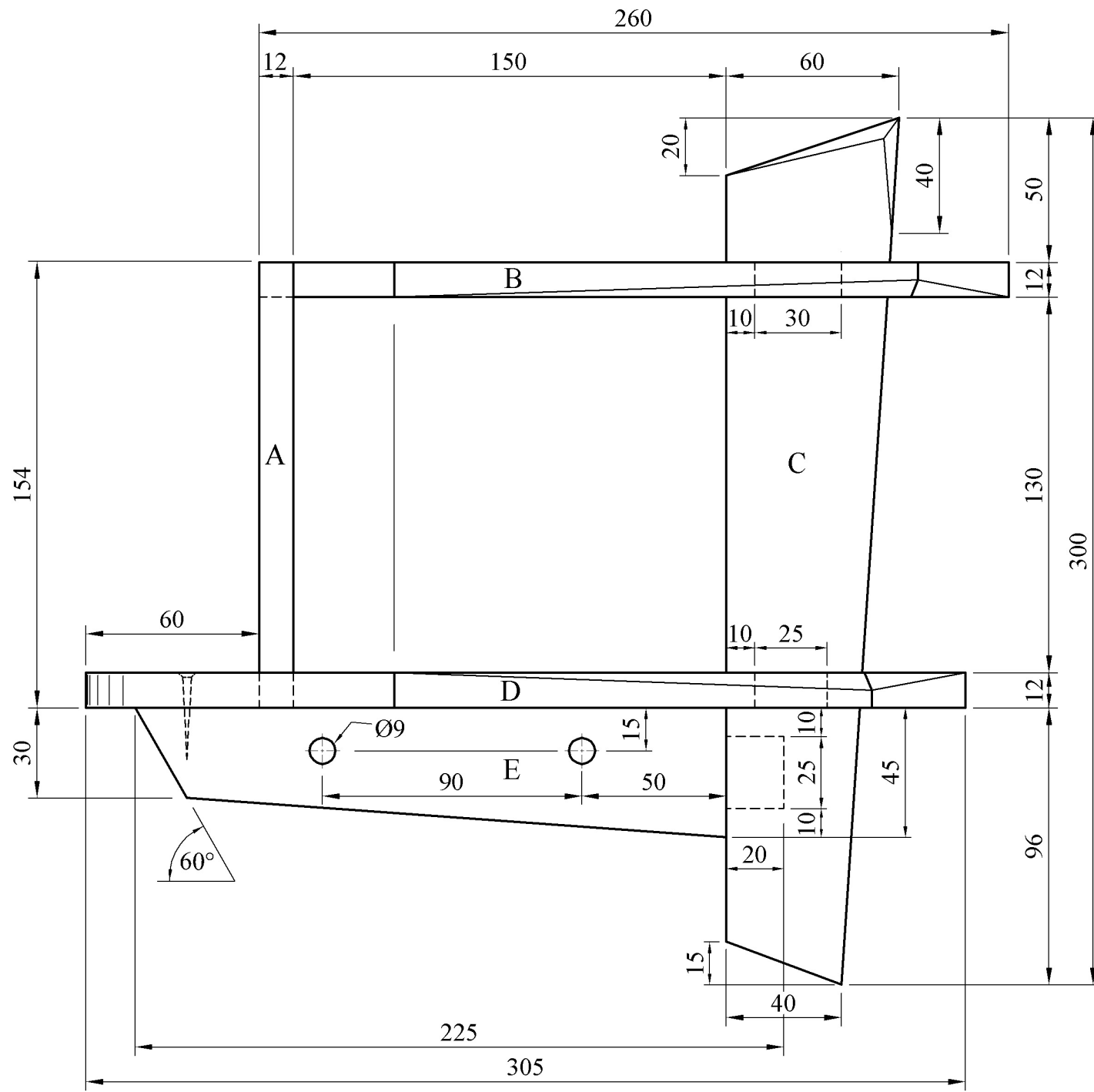
Note: For clarity, some hidden detail has been omitted from this drawing.

Nóta: Tá roinnt sonraí fágtha ar lár as an líníocht seo ar mhaithe le soiléireacht.

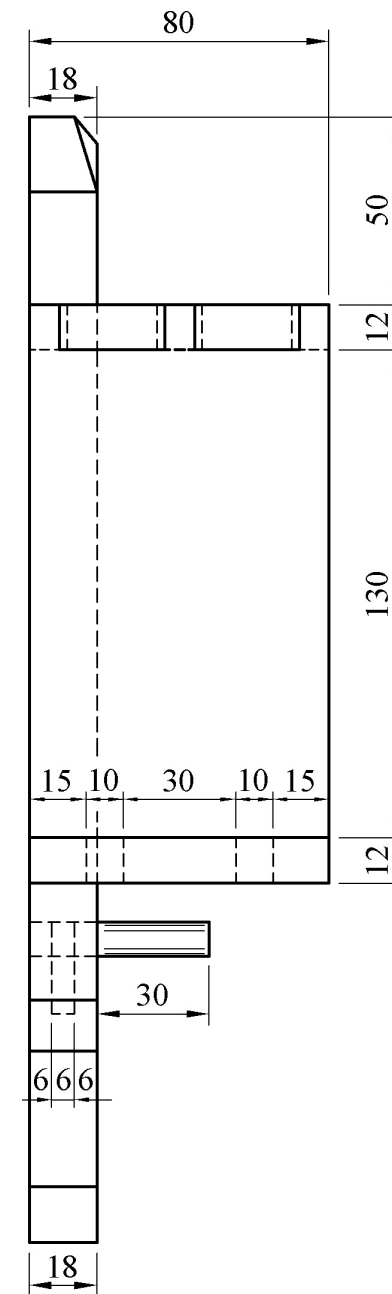
Hand up this examination paper to the **Superintendent** at the end of examination.

Tabhair ar ais an scrúdpháipéar seo don **Fheitheoir** ag deireadh an scrúdaithe.

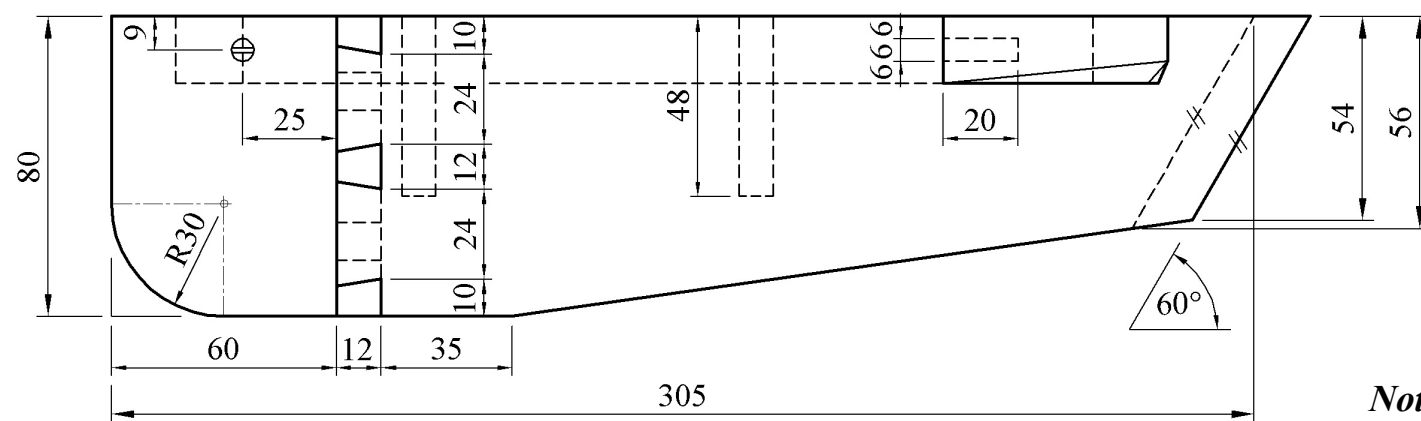
Display Unit Aonad Taispeántais



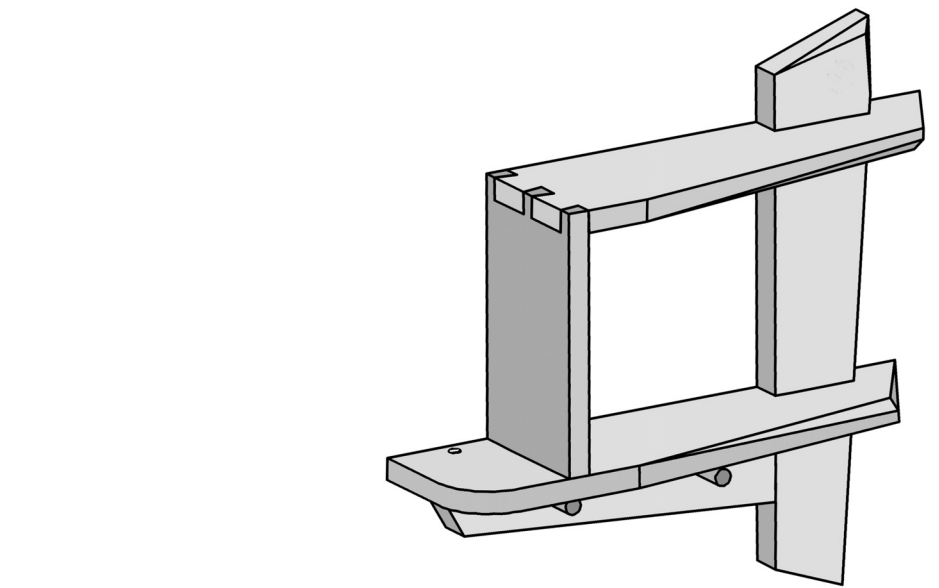
Elevation / Aghaidhchló



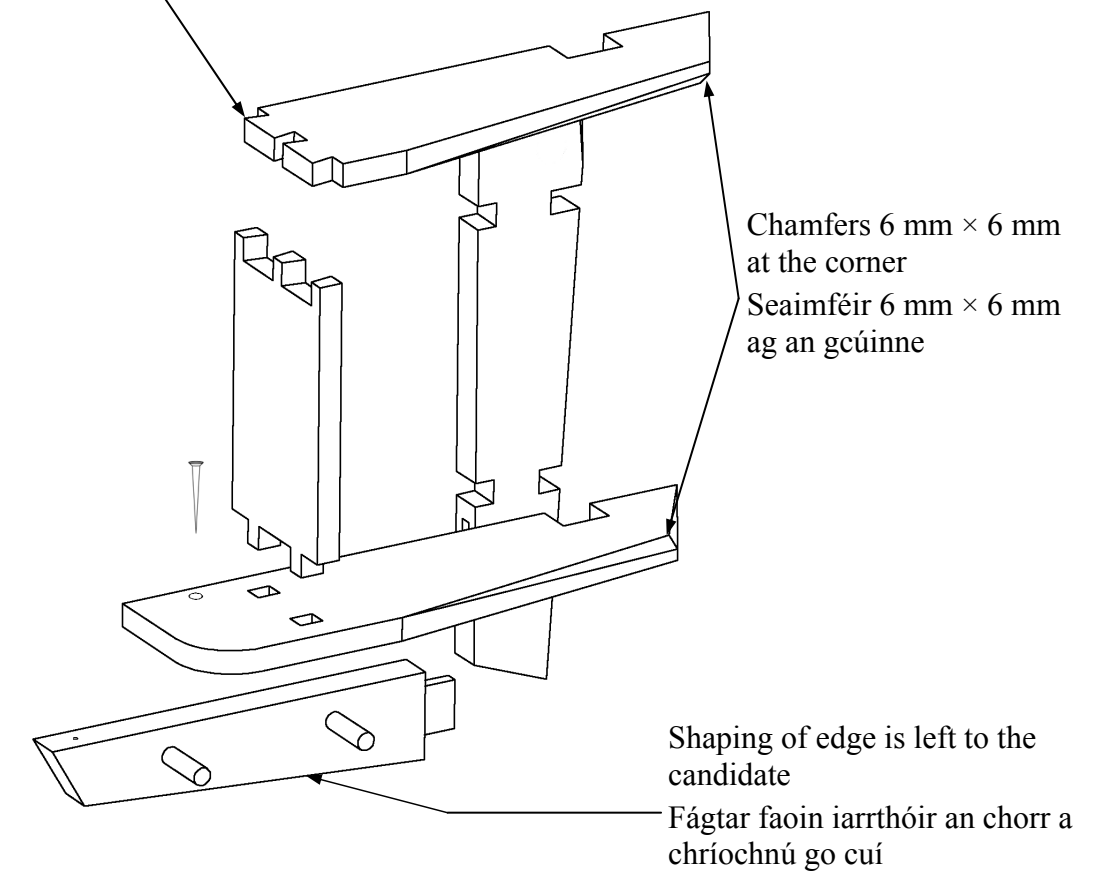
End View / Taobhchló



Plan / Bonnchló



Slope of dovetail
Claonadh an déadailt 1:6



Note: Hand up this examination paper to the **Superintendent** at the end of examination.

Nóta: Tabhair ar ais an scrúdpháipéar seo don **Fheitheoir** ag deireadh an scrúdaithe.

Hand up this examination paper to the
Superintendent at the end of the examination

Tabhair ar ais an scrúdpháipéar seo don
Fheitheoir ag deireadh an scrúdaithe