



Coimisiún na Scrúduithe Stáit
State Examinations Commission

Scrúdú Ardteistiméireachta, 2010
Leaving Certificate Examination, 2010

Staidéar Foirgníochta
Adhmadóireacht -Triail Phraiticiúil

Construction Studies
Woodwork - Practical Test

(150 marc/marks)

Note: For clarity, some hidden detail has been omitted from the drawing.

Nóta: Tá roinnt sonraí fágtha ar lár as an líníocht ar mhaithe le soiléireacht.

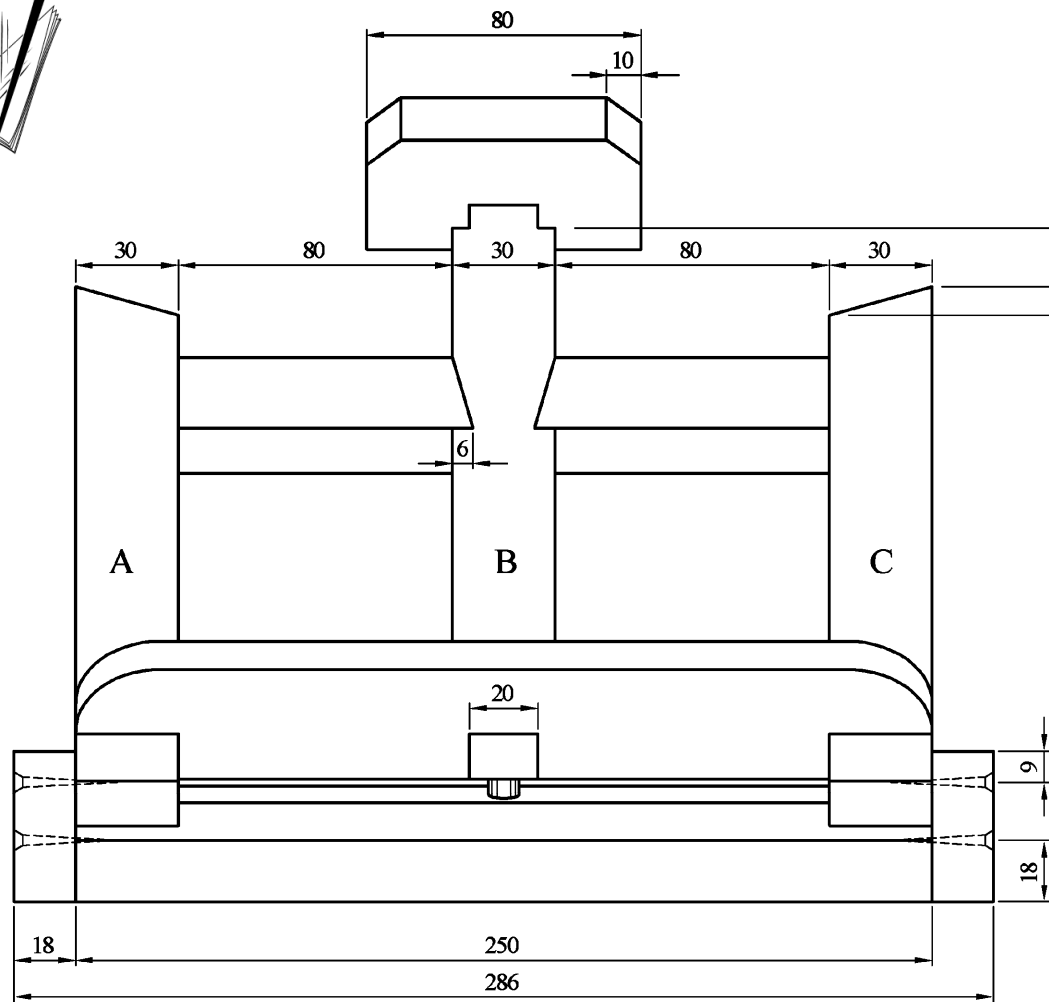
Hand up this examination paper to the **Superintendent** at the end of examination.

Tabhair ar ais an scrúdpháipéar seo don **Fheitheoir** ag deireadh an scrúdaithe.

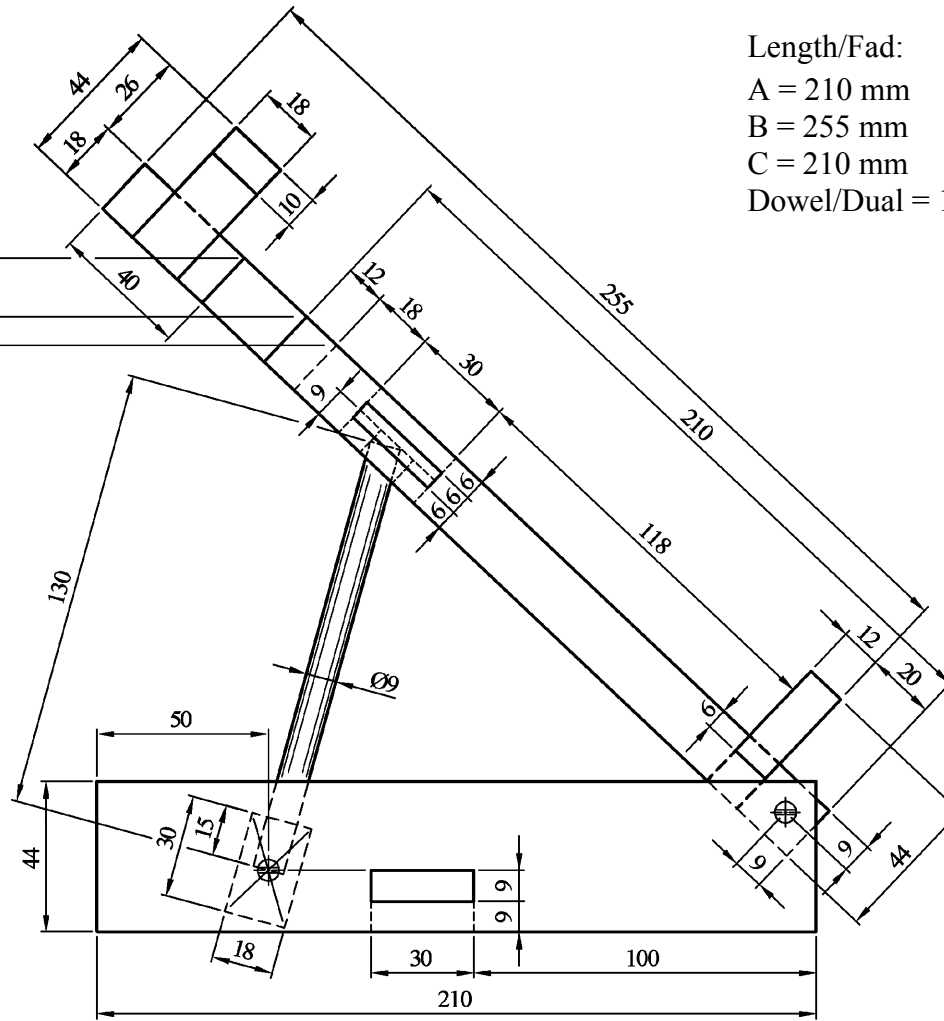


Easel / Tacas

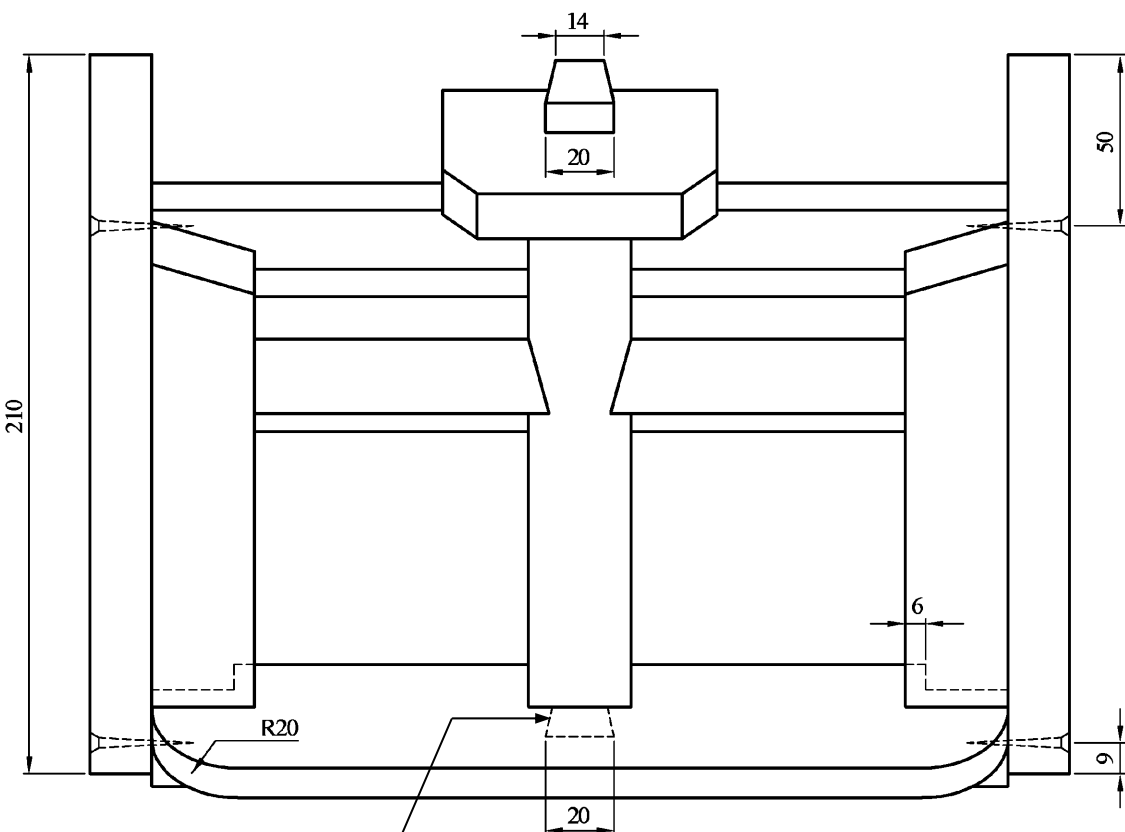
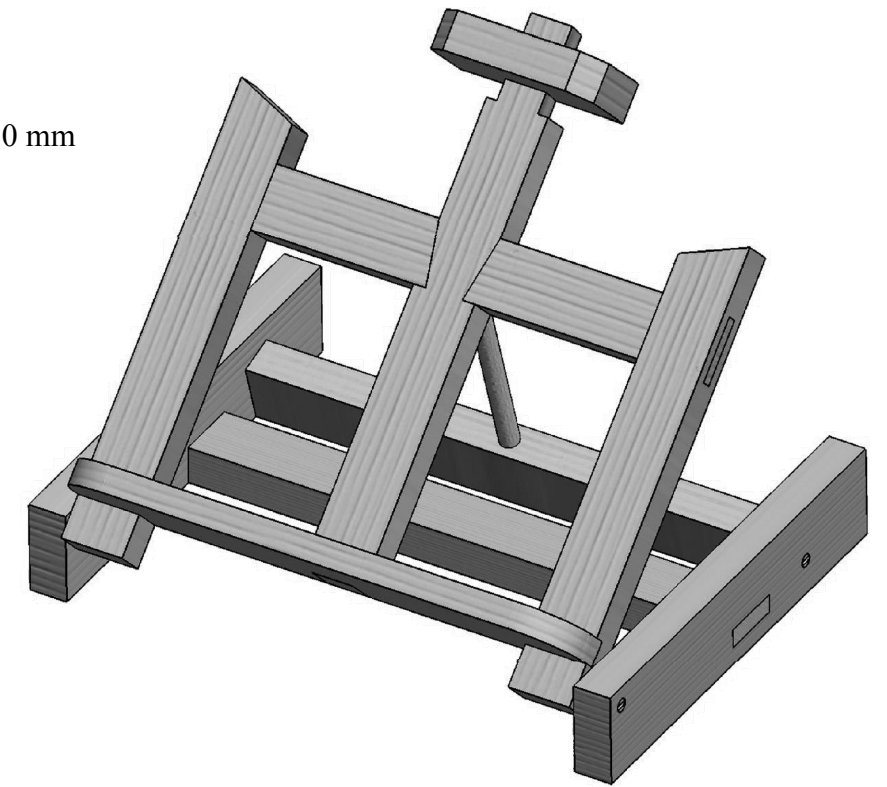
Length/Fad:
 A = 210 mm
 B = 255 mm
 C = 210 mm
 Dowel/Dual = 130 mm



Elevation/Aghaidhchló



End View/Taobhchló

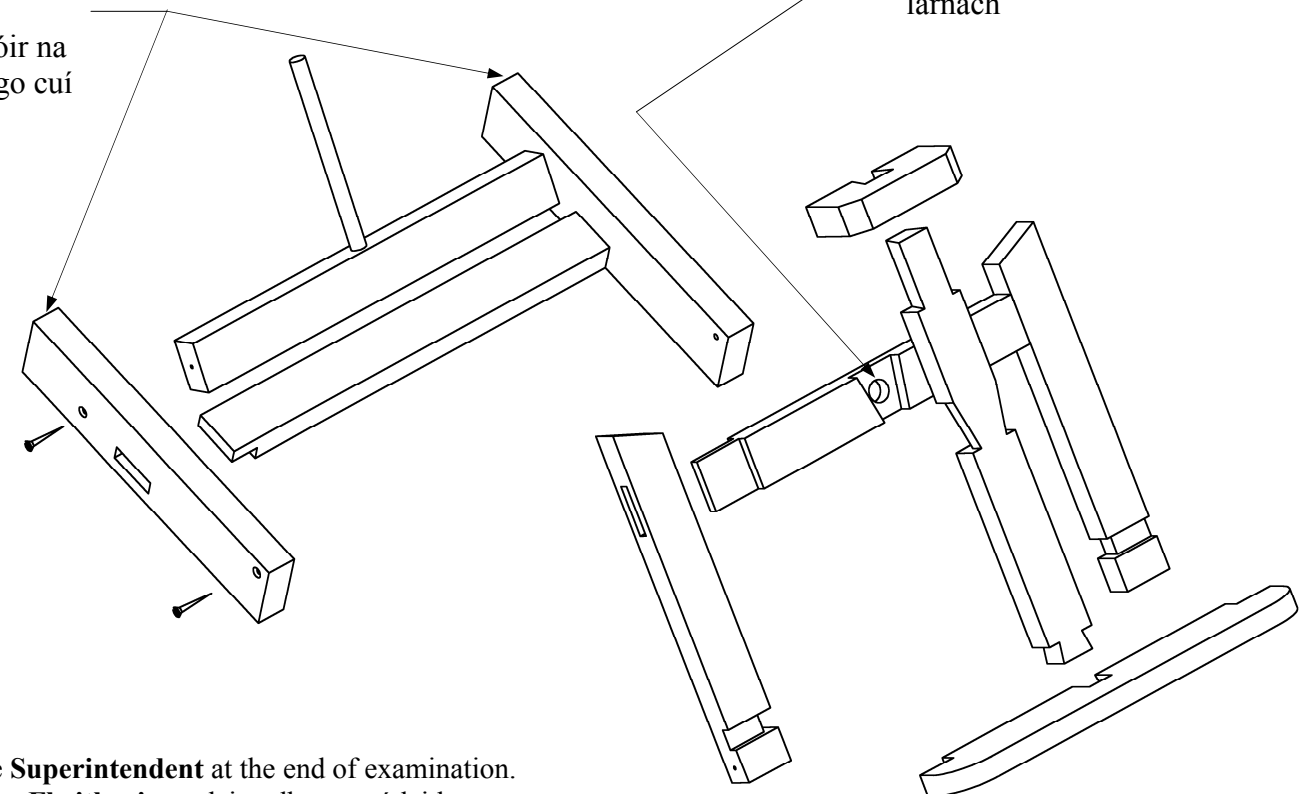


Plan/Bonnchló

Slope of Dovetail
 Claonadh an Déadailt 1:6

Shaping of edges is left to the candidate
 Fágtar faoin iarrthóir na gcorr a chríochnú go cuí

Ø13mm hole, centrally located
 An poll, Ø13mm, suite go lárnach



Note: Hand up this examination paper to the **Superintendent** at the end of examination.
Nóta: Tabhair ar ais an scrúdpháipéar seo don **Fheitheoir** ag deireadh an scrúdaithe.

Hand up this examination paper to the
Superintendent at the end of the examination

Tabhair ar ais an scrúdpháipéar seo don
Fheitheoir ag deireadh an scrúdaithe